



# Power Dividers/Combiners

Resistive

Reactive

High Power



# Power Dividers/Combiners

## Model Number Index

Please add connector type to the end of part number to complete model number ie; 50PD-234 SMA.

### Resistive

	Frequency Range	Configuration	Page
<u>50 Ohm</u>			
50PD-001	DC-1000 MHz	2-Way	6-3
50PD-015	DC-2550 MHz	2-Way	6-3
50PD-016	DC-4000 MHz	2-Way	6-4
50PD-017	DC-2000 MHz	3-Way	6-4
50PD-018	DC-2000 MHz	4-Way	6-4
50PD-028	DC-1500 MHz	5-Way	6-4
50PD-133	DC-2000 MHz	2-Way	6-5
50PD-134	DC-2000 MHz	3-Way	6-5
50PD-135	DC-2000 MHz	4-Way	6-5
50PD-136	DC-2000 MHz	5-Way	6-5
50PD-292	DC-4000 MHz	3-Way	6-4
50PD-293	DC-4000 MHz	4-Way	6-4
50PD-379	DC-4000 MHz	2-Way	6-5
50PD-432	DC-6000 MHz	2-Way	6-5
<u>75 Ohm</u>			
75PD-001	DC-1000 MHz	2-Way	6-3
75PD-045	DC-2200 MHz	2-Way	6-5
75PD-046	DC-2000 MHz	3-Way	6-5
75PD-047	DC-2000 MHz	4-Way	6-5
75PD-048	DC-2000 MHz	5-Way	6-5

### Reactive

	Frequency Range	Configuration	Page
<u>50 Ohm</u>			
50PD-223	800-2200 MHz	2-Way	6-6
50PD-224	800-2200 MHz	3-Way	6-6
50PD-232	800-2200 MHz	2-Way	6-8
50PD-233	800-2200 MHz	4-Way	6-8
50PD-234	800-2200 MHz	8-Way	6-8
50PD-243	800-2200 MHz	2-Way	6-12
50PD-244	800-2200 MHz	4-Way	6-12
50PD-254	800-3000 MHz	2-Way	6-8
50PD-255	800-3000 MHz	4-Way	6-8
50PD-282	800-3000 MHz	8-Way	6-8
50PD-445	400-3000 MHz	2-Way	6-6
50PD-454	800-2200 MHz	4-Way	6-6
50PD-455	800-2200 MHz	6-Way	6-6
50PD-456	800-2200 MHz	8-Way	6-6
50PD-495	800-2200 MHz	2-Way	6-8
50PD-496	800-2200 MHz	4-Way	6-8
50PD-497	800-2200 MHz	8-Way	6-8
50PD-519	2000-6000 MHz	2-Way	6-10
50PD-520	2000-6000 MHz	4-Way	6-10
50PD-521	2000-6000 MHz	8-Way	6-10
50PD-525	800-3000 MHz	3-Way	6-8

### Assembly

	Frequency Range	Configuration	Page
<u>50 Ohm</u>			
50PDA-039	800-3000 MHz	12-Way	6-14
50PDA-040	800-3000 MHz	24-Way	6-14

### High Power Reactive

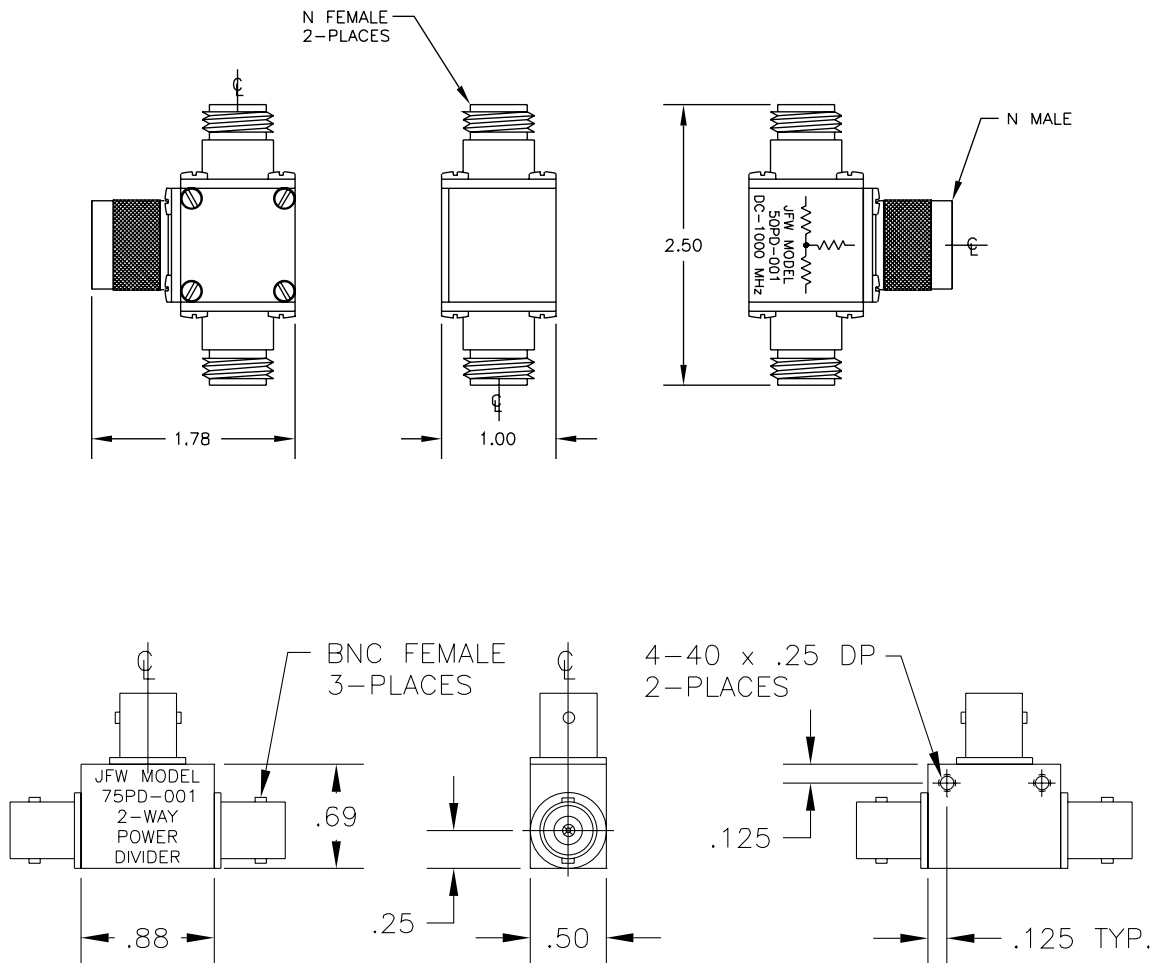
	Frequency Range	Configuration	Page
<u>50 Ohm</u>			
50PD-447	800-2500 MHz	2-Way	6-13
50PD-448	800-2500 MHz	4-Way	6-13
50PD-260	800-2000 MHz	2-Way	6-13

# Resistive Power Dividers/Combiners

Model	Impedance	Configuration	Frequency Range	Power Division Asymmetry	Insertion Loss	VSWR Maximum	RF Connectors
50PD-001	50 Ohms	2-Way	DC-1000 MHz	+/- .1 dB DC-500 MHz +/- .2 dB 500-1000 MHz	6 dB +/- .3 dB	1.1:1 DC-500 MHz 1.2:1 500-1000 MHz	N male N female
50PD-015	50 Ohms	2-Way	DC-2550 MHz	+/- .1 dB DC-500 MHz +/- .2 dB 500-1000 MHz +/- .3 dB 1000-2550 MHz	6 dB +/- .3 dB DC-1000 MHz 6 dB +/- .5 dB 1000-2550 MHz	1.1:1 DC-500 MHz 1.2:1 500-1000 MHz 1.3:1 1000-2550 MHz	N male N female
75PD-001	75 Ohms	2-Way	DC-1000 MHz	+/- .2 dB DC-500 MHz +/- .4 dB 500-1000 MHz	6 dB +/- .4 dB	1.2:1 DC-500 MHz 1.3:1 500-1000 MHz	BNC or TNC female

## Common Specifications

Input Power	Peak Power	Operating Temperature
1 Watt average @ 25° C	1000 Watts (1 microsecond)	-40° C to +85° C



This catalog represents only 10% of our products. For YOUR application, please contact JFW at 1-877-887-4JFW